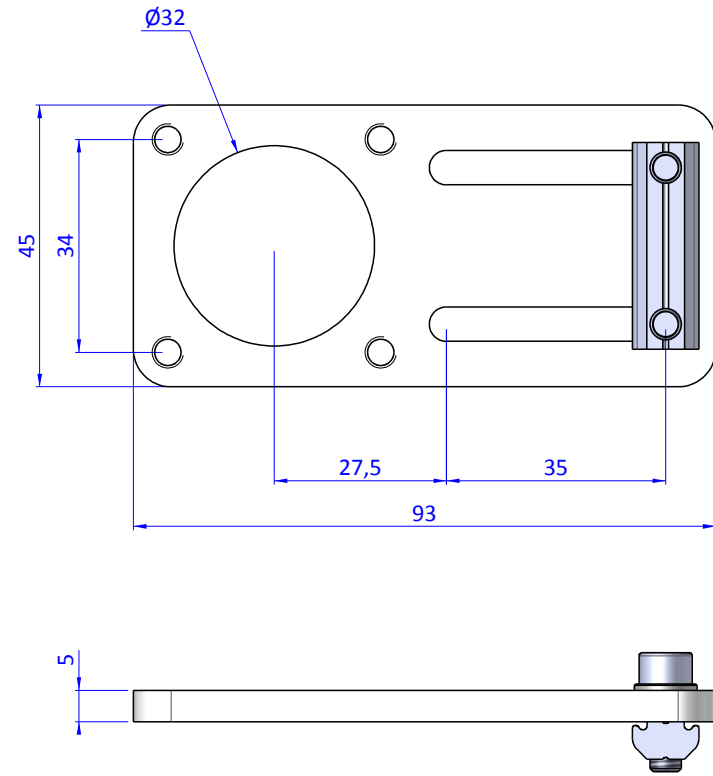
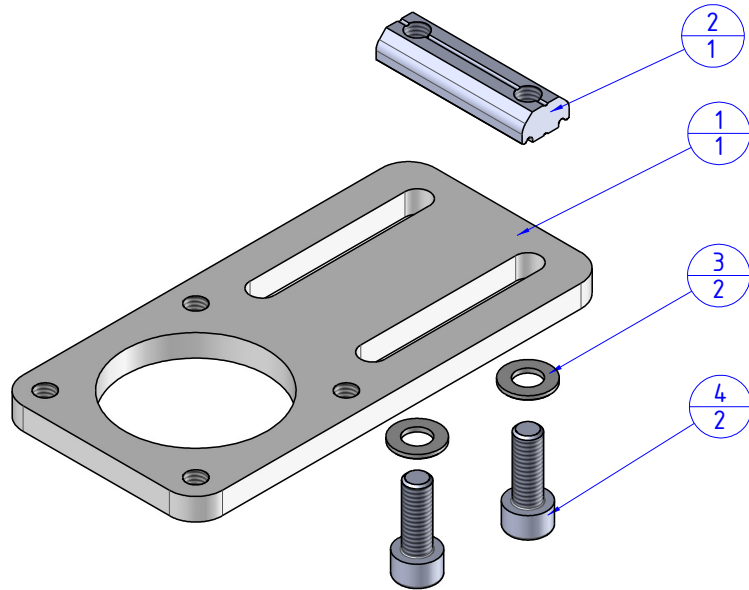


THE PROPERTY OF THE DRAWING IS ESTABLISHED BY LAW. IT IS FORBIDDEN TO PRODUCE OR SHOW IT TO THIRD PARTY, WITHOUT A WRITTEN AGREEMENT.

Item	Name	Q.ty
1	CA.11.08.005	1
2	CA.GWP.5.25	1
3	R.5	2
4	V.TCE5x14	2



Format A3

UNI 936-76

		DESIGNED FROM		REVIEW
		FPS Automation		A
GENERAL TOLERANCE		DATE	WEIGHT	
UNI - ISO 2768		20/05/2019	0,061kg	
CLASSE f	DESCRIPTION	CODE		
	CA.11.08.005.X	CA.11.08.005.X		